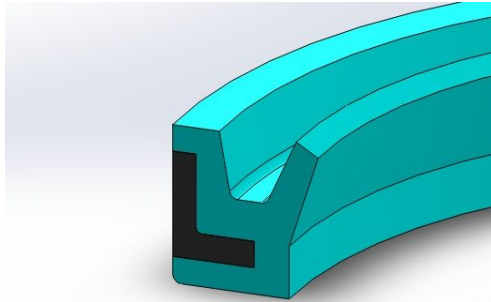


DUST SEALS

YH63 TYPE



Pressure (MPa) : -

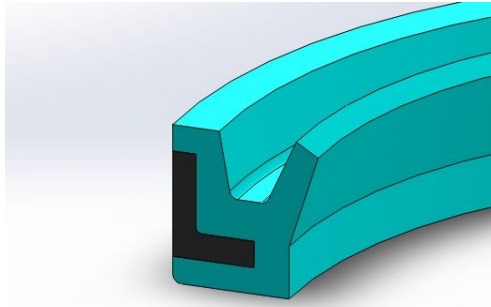
Temperature (°C) : -35~+100

Speed (M/S) : -

PART NO.	TYPE	ID	OD	H		Material
63001015313	YH63	1.000	1.500	0.313	INCH	PU+METAL CASE
63117175313	YH63	1.175	1.750	0.313	INCH	PU+METAL CASE
63125175313	YH63	1.250	1.750	0.313	INCH	PU+METAL CASE
63015002313	YH63	1.500	2.000	0.313	INCH	PU+METAL CASE
63175225250	YH63	1.750	2.250	0.250	INCH	PU+METAL CASE
63175225313	YH63	1.750	2.250	0.313	INCH	PU+METAL CASE
63002025250	YH63	2.000	2.500	0.250	INCH	PU+METAL CASE
63002025313	YH63	2.000	2.500	0.313	INCH	PU+METAL CASE
63225312313	YH63	2.250	3.125	0.375	INCH	PU+METAL CASE
63237287313	YH63	2.375	2.875	0.313	INCH	PU+METAL CASE
63025003313	YH63	2.500	3.000	0.313	INCH	PU+METAL CASE
63262312250	YH63	2.620	3.125	0.250	INCH	PU+METAL CASE
63275325313	YH63	2.750	3.250	0.313	INCH	PU+METAL CASE
63003035313	YH63	3.000	3.500	0.313	INCH	PU+METAL CASE
63035412313	YH63	3.500	4.125	0.313	INCH	PU+METAL CASE
63035417313	YH63	3.500	4.175	0.313	INCH	PU+METAL CASE
63075045313	YH63	3.750	4.500	0.313	INCH	PU+METAL CASE
63392457313	YH63	3.920	4.570	0.313	INCH	PU+METAL CASE
63004462313	YH63	4.000	4.625	0.313	INCH	PU+METAL CASE
63045512313	YH63	4.500	5.125	0.313	INCH	PU+METAL CASE
63425475313	YH63	4.250	4.750	0.313	INCH	PU+METAL CASE
63487562313	YH63	4.875	5.625	0.313	INCH	PU+METAL CASE
63525600313	YH63	5.250	6.000	0.313	INCH	PU+METAL CASE
63575637375	YH63	5.750	6.375	0.375	INCH	PU+METAL CASE
63007762375	YH63	7.000	7.625	0.375	INCH	PU+METAL CASE
63118140008	YH63	8.125	8.625	0.313	INCH	PU+METAL CASE
63055065005	YH63	55	65	5	MM	PU+METAL CASE

DUST SEALS

YH63 TYPE



Pressure (MPa) : -

Temperature (°C) : -35~+100

Speed (M/S) : -

PART NO.	TYPE	ID	OD	H		Material
63060070005	YH63	60	70	5	MM	PU+METAL CASE
63065075005	YH63	65	75	5	MM	PU+METAL CASE
63075089008	YH63	75	89	8	MM	PU+METAL CASE
63795100007	YH63	80	100	7	MM	PU+METAL CASE
63090104008	YH63	90	104	8	MM	PU+METAL CASE
63995115007	YH63	100	115	7	MM	PU+METAL CASE
63118140008	YH63	119	140	8	MM	PU+METAL CASE